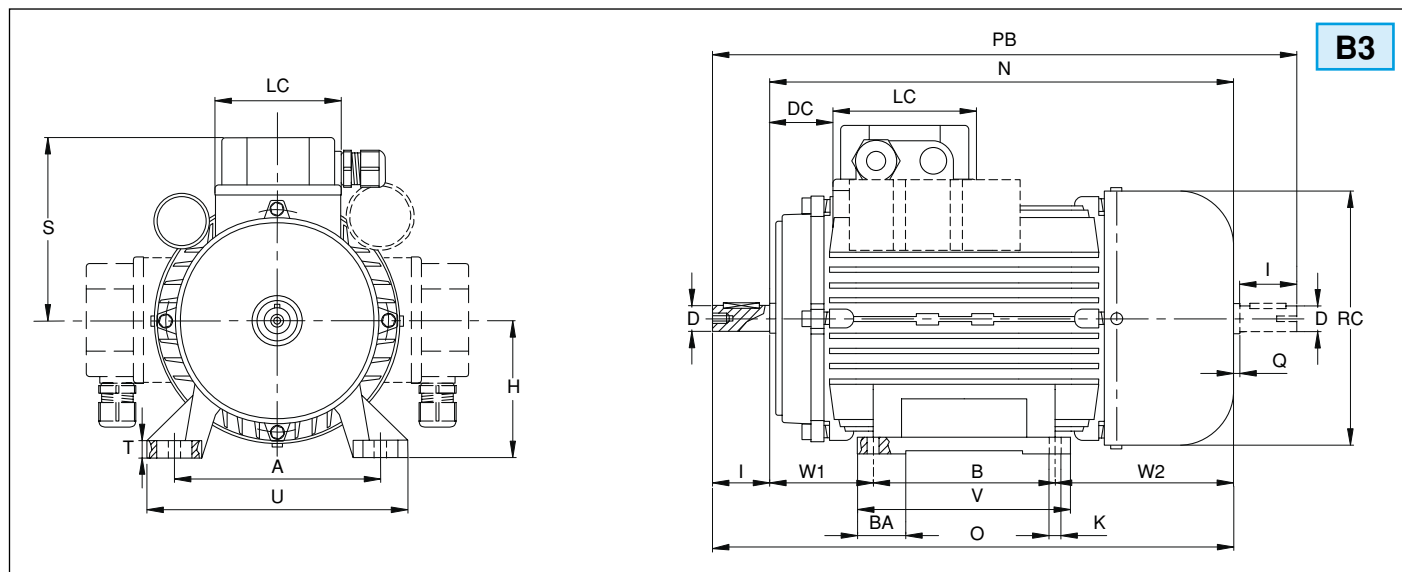


**Dimensioni motori
monofase e monofase ad
alta coppia di spunto
serie M - MA - ME - MD -
MV - MC* - CD* - CV***

**Dimensions of single-
phase motors and single-
phase motors with high
locked rotor torque
series M - MA - ME - MD -
MV - MC* - CD* - CV***

**Dimensions moteurs
monophasés et
monophasés à couple
élevé de démarrage série
M - MA - ME - MD - MV -
MC* - CD* - CV***

**Abmessungen Motoren
und Wechsel-
strommotoren und der
Wechselstrommotoren mit
hohem Anlauf-drehmoment
Serie M - MA - ME - MD - MV
- MC* - CD* - CV***



Grandezza Size Grandeur Größe	Dimensioni / Dimensions / Dimensions / Abmessungen																				B3
	D	IB	A	BF	K	H	W1	W2	N	O	PG	RC	SD	TP	U	V	PB	Q	LC	DC	
56	9	20	90	71	6	56	36	61,0	168,0	188,0	M16	110	95	10	108	90	211,0	3	75	24	25
63	11	23	100	80	7	63	40	70,5	190,5	213,5	M16	123	100	10	120	105	239,5	3	75	28	27
71	14	30	112	90	8	71	48	80,0	218,0	248,0	M16	137	109	11	136	108	281,0	3	75	36	24
80	19	40	125	100	9	80	54	88,0	242,0	282,0	M20	156	123	13/14	154	125	326,0	4	91	35	30
90S	24	50	140	100	10	90	59	96,0	255,0	305,0	M20	176	128	15	170	130	358,0	3	91	40	30
90L	24	50	140	125	10	90	59	96,0	280,0	330,0	M20	176	128	13/15	170	155	383,0	3	91	40	32
100	28	60	160	140	13	100	63	109,0	312,0	372,0	M20	194	140	15/16	192	175	437,0	5	91	45	32

** quote O/N - contattare ufficio tecnico

** value O/N - get in touch with the Technical Office

** Cote O/N - contacter de service technique

** Wert O/N - anrufen des technische Büro